

Insulated Room Sealed Flue Kit

Standard Ceiling 4m Flue Kit

Painted Stainless Steel with Painted Heat Shield

RSF FK6STANDARD

Also available as

RSF FK5STANDARD

RSF FK7STANDARD

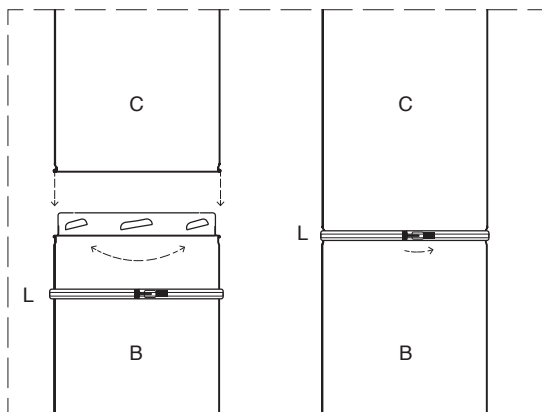
RSF FK8STANDARD

Standard Flue Kit

	Item	QTY	Product Code
A	1000mm 6" Single skin flue Painted black	2	RSF-6BLK
B	1000mm starter length, end painted for drop box	1	RSF-1000-STARTER
C	1000mm Room Sealed Flue (with Locking Band)	1	RSF-1000
D	1000mm Heat Shield Black	1	RSF-SHIELD-BLK
E	Ceiling Ring	1	RSF-CR
F	Wind Cowl Stainless Steel	1	RSF-COWL
G	Room Sealed Flue Adapter Single to twin 150mm - 200mm	1	RSF-6STARTER

Paint Finish: Stove Bright Metallic Black

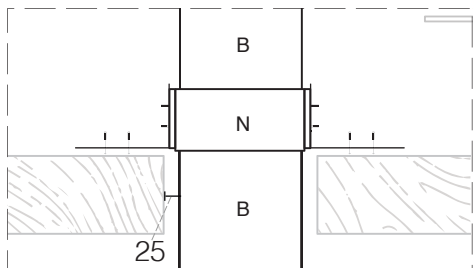
Flue Assembly



NOTE:

To assemble flue, first lock into place, second secure locking band around joint

Optional Support Brace

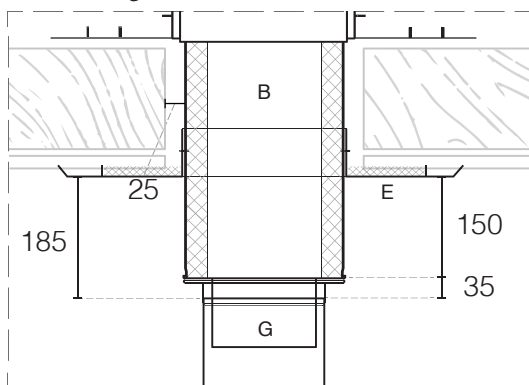


NOTE:

The optional support brace (N) has the ability to adjust to any angle of adjacent roof beams

There is a 25mm clearance between the flue and any timber at all times

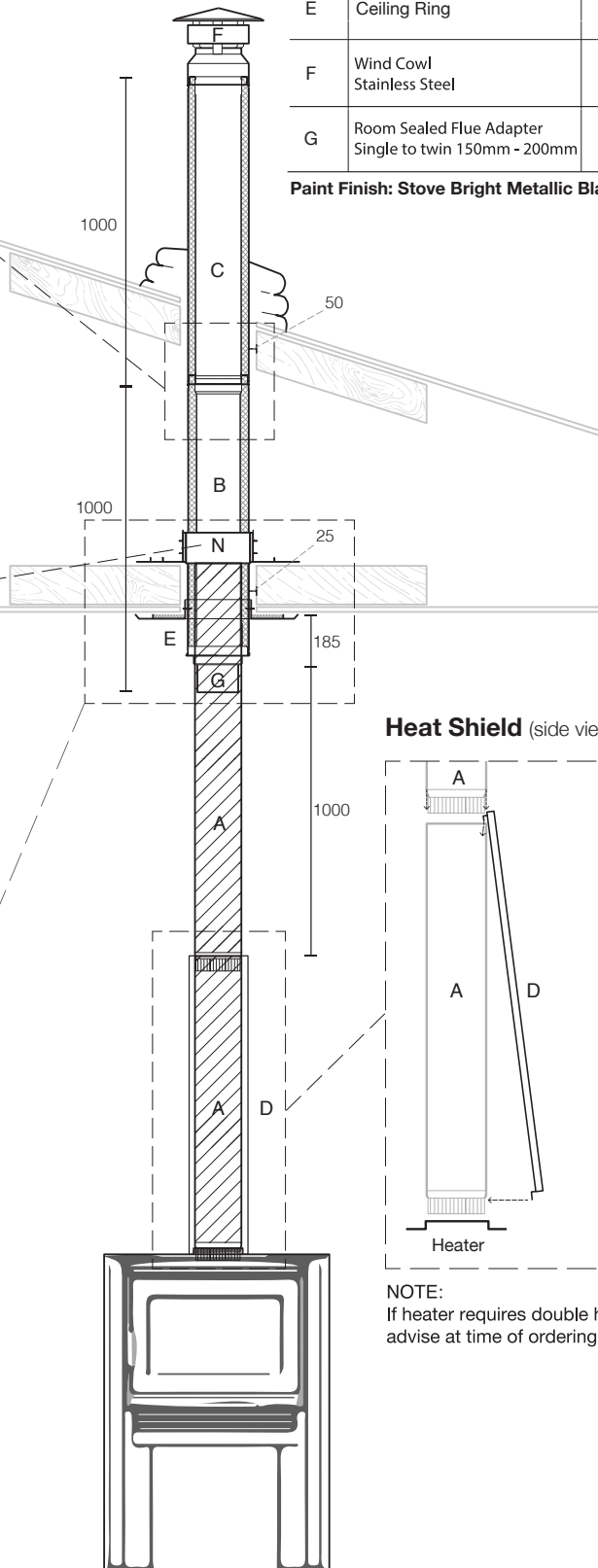
Starter Length



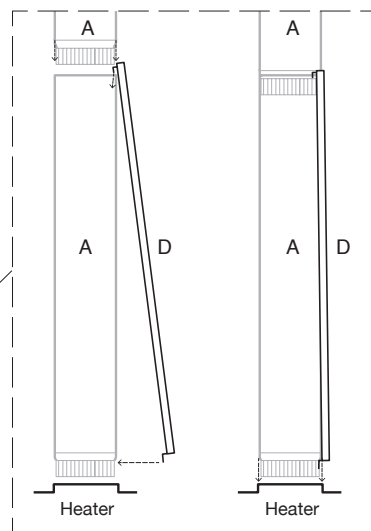
NOTE:

150mm single skin flue (A) must terminate 185mm from the ceiling. The 200mm starter length (B) dropping 150mm into the room, with the tail dropping into the A flue

There is a 25mm clearance between the flue and any timber at all times



Heat Shield (side view)



NOTE:

If heater requires double heat shield, please advise at time of ordering