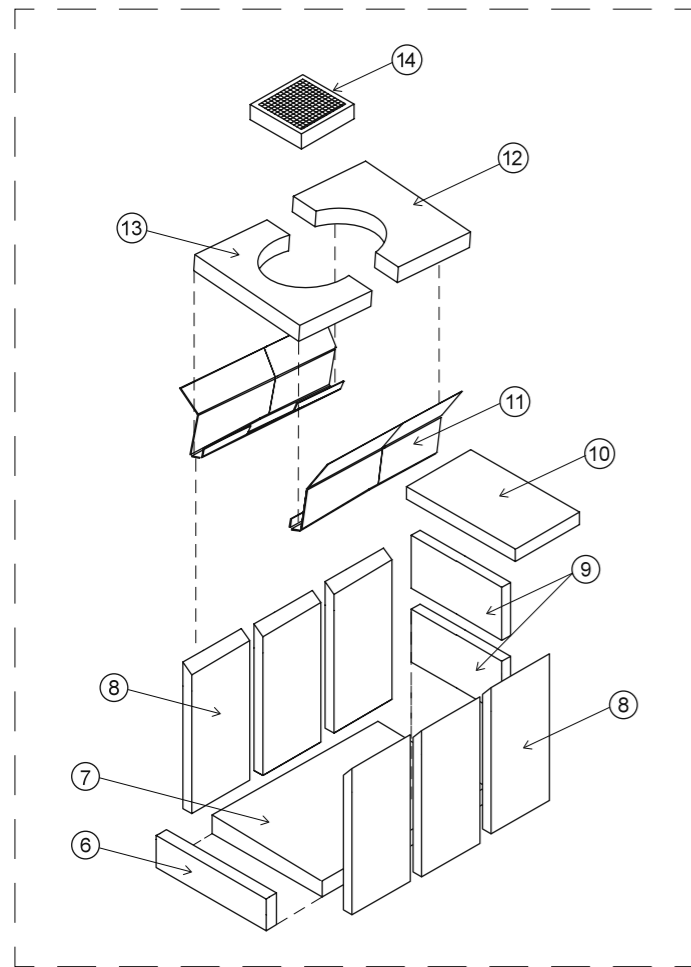


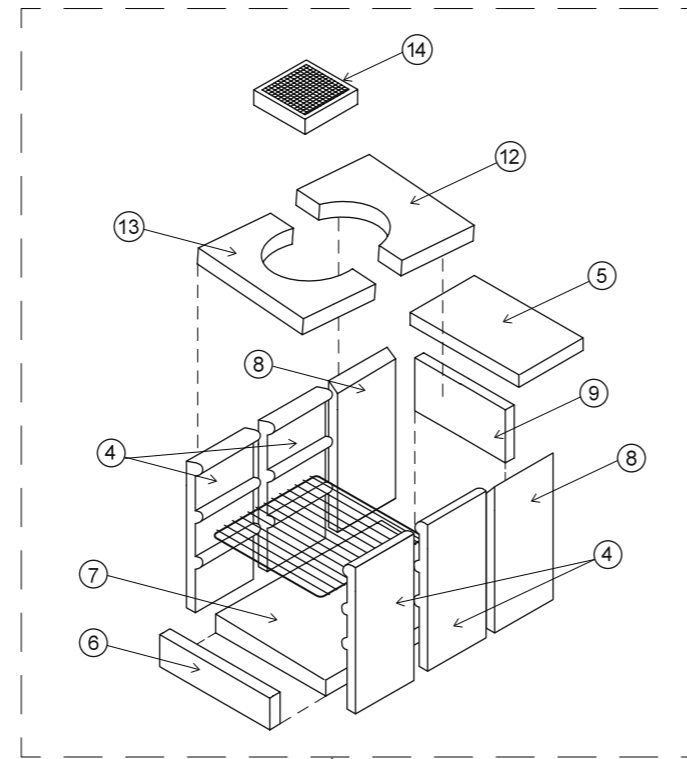
ESSE 990WN (Dry)

Schematic

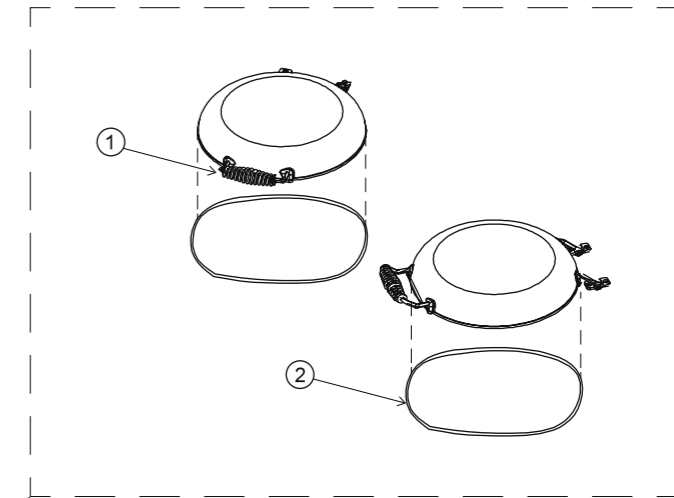
Fire Box



Set up for BBQ

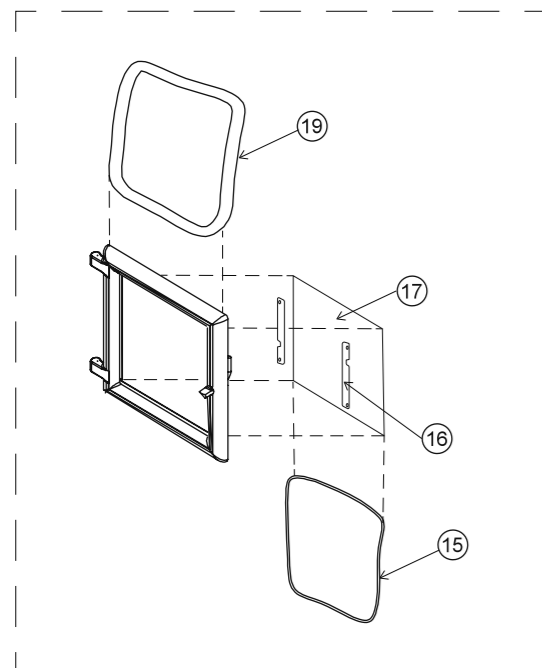


Hot Plates

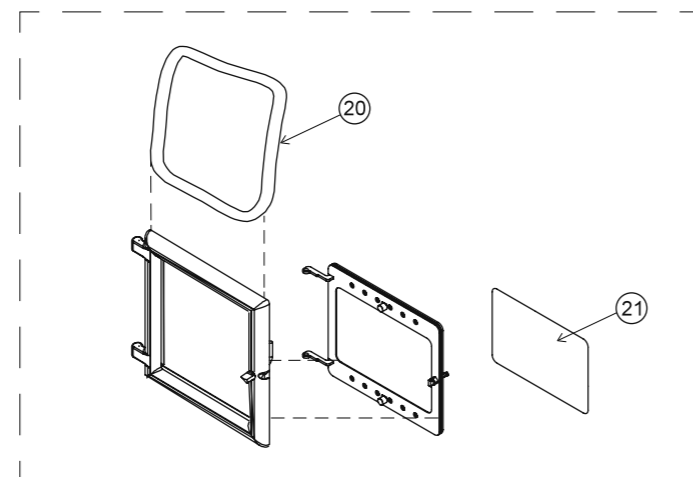


Fire Box Door

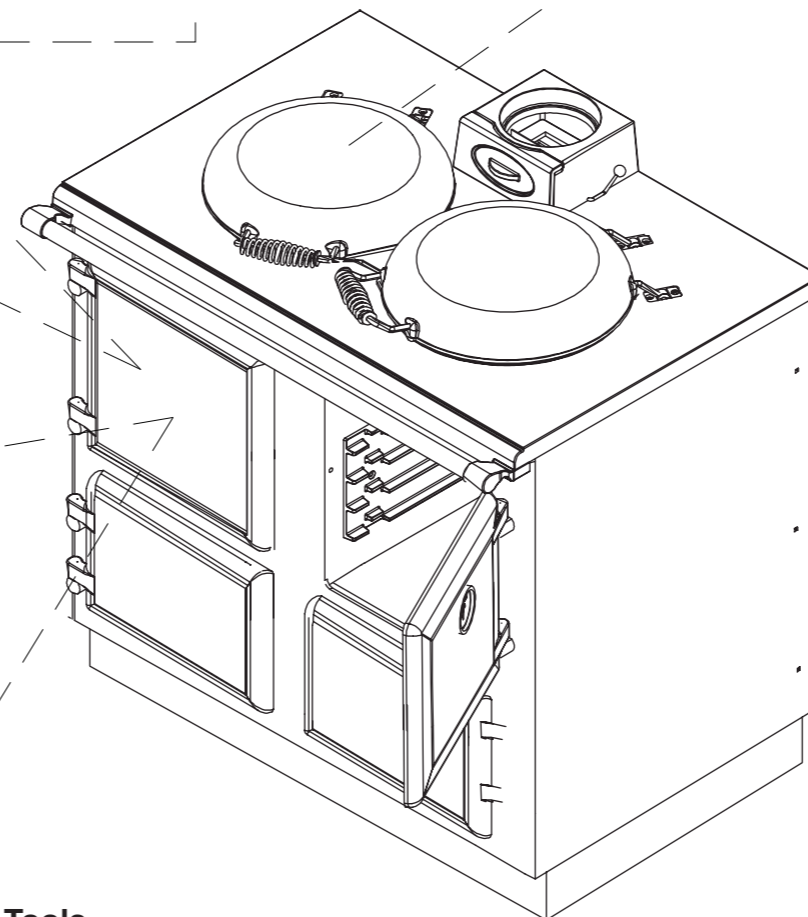
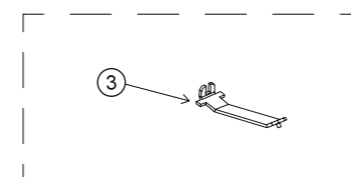
New Style (Cast Glass Door) *



Old Style (Stainless Glass Door) *



Tools



Parts List

	Item	Product Code
1	Hot Plate Handle	2023-814X BO
2	Bolster Rope Grey Mesh	ROPE/CUT.WHT/8x1800-C
3	Tool for Door	OP-TOOL-990
4	Side Brick (BBQ Grill)	500-IH-227
5	Top Baffle (BBQ Grill)	500-IH-221
6	Front Brick	990-009C
7	Base Brick	990-009B
8	Side Brick	990-001
9	Rear Brick (WN)	990-009A
10	Top Baffle	990-008
11	Baffle Support Bracket	990-008R
12	Top Rear Brick	990-004
13	Top Front Brick	990-004A
14	Cat After Burner	WCKCU-012
15	Glass Seal (New style)	rope/cut.wht/3x1000mm
16	Glass Clips	990-701
17	Glass for Cast Door	990-007C
18	Gasket Glue	MN Gasketglue
19	Door Seal (New style)	rope/cut.wht10c1040mm
20	Door Seal 12mm (Old style)	MN ds12
21	Glass for Stainless Door - 311mm x 212mm x 4mm (Old style)	990-007

Gasket glue (18) required to adhere the seal

PIVOT
stove & heating

Address: 120 Victoria street, Nth Geelong
Phone: 1300 4 PIVOT / 1300 474 868
Website: Pivotstove.com.au